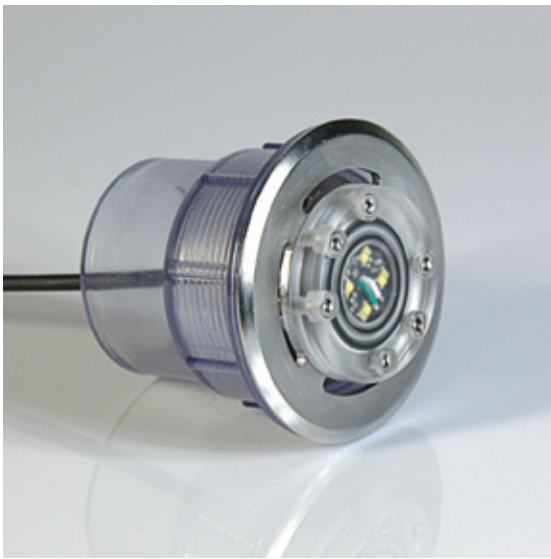


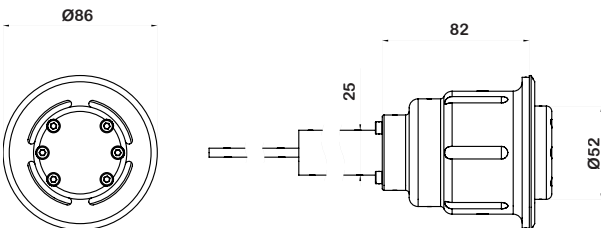
AQUAMARINE 86 POOL LIGHT



The Aquamarine pool light is a revolutionary, energy efficient and ultra compact new Light source. It combines the lifetime reliability advantages of power LED with the brightness of conventional lighting. Advantages offered that sets this fitting apart from all the others:

- Beam spread – 140°
- Better thermal cooling due to increased water circulation around the fitting.
- Revolutionary mounting niche with ANSI 316 cable gland.
- Stainless Steel 316 construction

architecture



Features

Watts per Fitting	7 Watt
Fitting Fixation	Screws
IP Rating	IP68
Lifetime	Min. 50000h
Operating Temp. (Ambient)	-10 to 35°C
PSU Efficiency	85%
Power Factor	>0.92
THD	20% Max
Environment	Submersed, Outdoor

Module Efficiency

	Cool White
Color Temperature	5000 - 7000 K
Colour Rendering Index (CRI)	70

AQUAMARINE 86 POOL LIGHT

Fitting Options

Product ID	LED	Optic Type	Finish
01-044-102	CW - Cool White	140 - 140°	05 - Polished Stainless Steel
	BL - Blue		

Driver Options

Driver Type	Specifications
01 - Static, External to fitting	100-240Vac/20W/36Vdc/550mA/PF>0.92, UL1310 Class 2 , UL48, cUL
02 - Dimmable, External to Fitting	100-240Vac/12Vdc, Stack System, Coms: I2C, CAN, Rs485, Zigbee

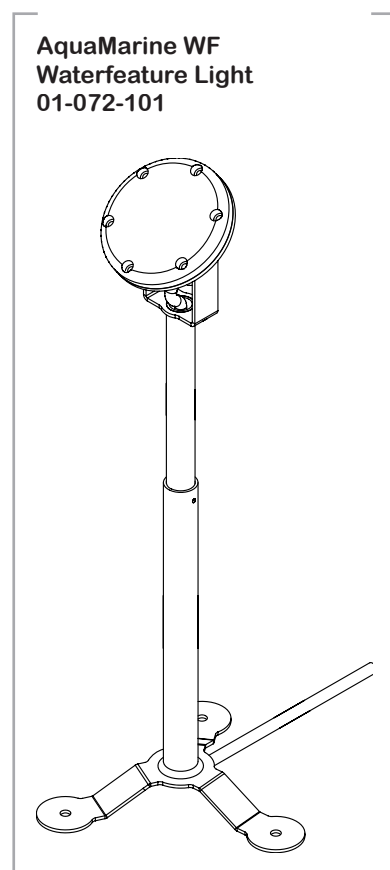
Product ID Example: 01-044-102-CW-140-05-01

Product ID Example	01-044-102	CW	140	05	01
	Fitting Type	LED Colour	Optic Type	Finish	Driver Option

Alternative Installation Method



Other Products in the Range



©2009 Lumière Technologies

All rights reserved. Reproduction in whole or in part is prohibited without the prior written consent of the copyright owner. Lumière reserves the right to change specifications without notice. Responsibility rests with the user to determine suitability of product for specific purpose.

TECHNICAL SPECIFICATIONS